

# EPA3

## Ethernet Power Adapter

### Overview

The EPA3 is a compact adapter that allows an IP phone or other accessory to receive power and data over existing LAN cabling, without modifying the existing Ethernet infrastructure. The EPA3 incorporates a 3-port switch to connect the powered device and one additional device.

The EPA3 is compatible with IEEE 802.3af standard Power over Ethernet (PoE) and Cisco proprietary in-line power. The EPA3 takes PoE as an input and converts it to a dc output appearing on a cable with power plug. Using the EPA3, a device can be deployed in any network using either type of PoE, thus eliminating the need for an ac power adapter. However, if PoE fails, an ac adapter can be used to supply power to the EPA3 and the powered device. Only a single CAT5 Ethernet cable is needed to provide both power and IP connectivity to each device.

The switch operates full duplex at line rate allowing full network bandwidth to the two devices connected to it. QoS bits are properly processed by the switch to ensure that speech traffic can be given higher priority over traffic that is not delay sensitive.

The EPA3 is available in black or bone colors. Using the EPA3 decreases installation costs, simplifies the network, and allows devices to be placed where no ac power is available.

### Physical and Environmental

**Operating temperature:** 10°C to 40°C (50°F to 104°F)

**Storage temperature:** 0°C to 50°C (32°F to 122°F)

**Weight:** 0.2kg (0.4lb)

**Size:** 114 mm (W) x 76 mm (D) x 32 mm (H) (4.5" x 3" x 1.25")

**Safety:** IEC 60950

**EMC:** EN55022 Class A, FCC Part 15 Class A



### Key Features

- Three 10/100 Base-T Ethernet circuits connect to the LAN and other network devices
- Compatible with IEEE 802.3af and proprietary Cisco Power over Ethernet
- Outputs 5 Vdc or 12 Vdc to power most devices
- Accepts dc input for power back up
- Supports IEEE 802.1p/q VLAN and priority marking (QoS)
- Switches Ethernet traffic at full line rate
- Eliminates wires and ac power cords
- Interoperates with any standard network
- Five LEDs provide indication of status
- Available in black or bone color

### Specifications

**Ethernet ports:** All auto MDI/MDI-X; auto 10 Mb/s or 100 Mb/s, auto full or half duplex

**Ethernet input:** 48 Vdc, either polarity, signal or data pairs (Alternative A or B)

**DC input:** 5 Vdc or 12 Vdc, protected against reverse polarity

**DC output:** Switch selectable 5 Vdc @ 1.9 A or 12 Vdc @ 0.8 A (typical 9 W if PoE with 100 m cable)

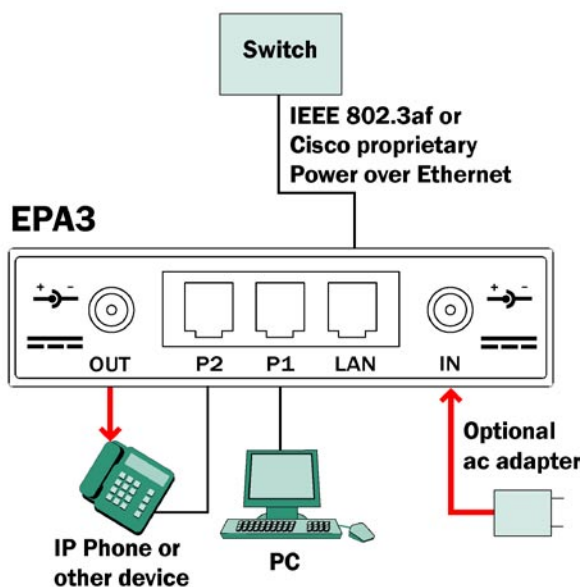
**DC connector:** 2.5 mm on 1 m cable (3')

**Protection:** Surge protected on inputs, output short circuit protected

**LEDs:** Five displays show status of connection and power

**Documentation:** Installation guide included

**Warranty:** One year



Zultys Technologies  
 771 Vaqueros Avenue  
 Sunnyvale, CA 94085  
 USA

Tel: +1-408-328-0450  
 Fax: +1-408-328-0451  
 Email: [zultys@zultys.com](mailto:zultys@zultys.com)  
 Web: [www.zultys.com](http://www.zultys.com)